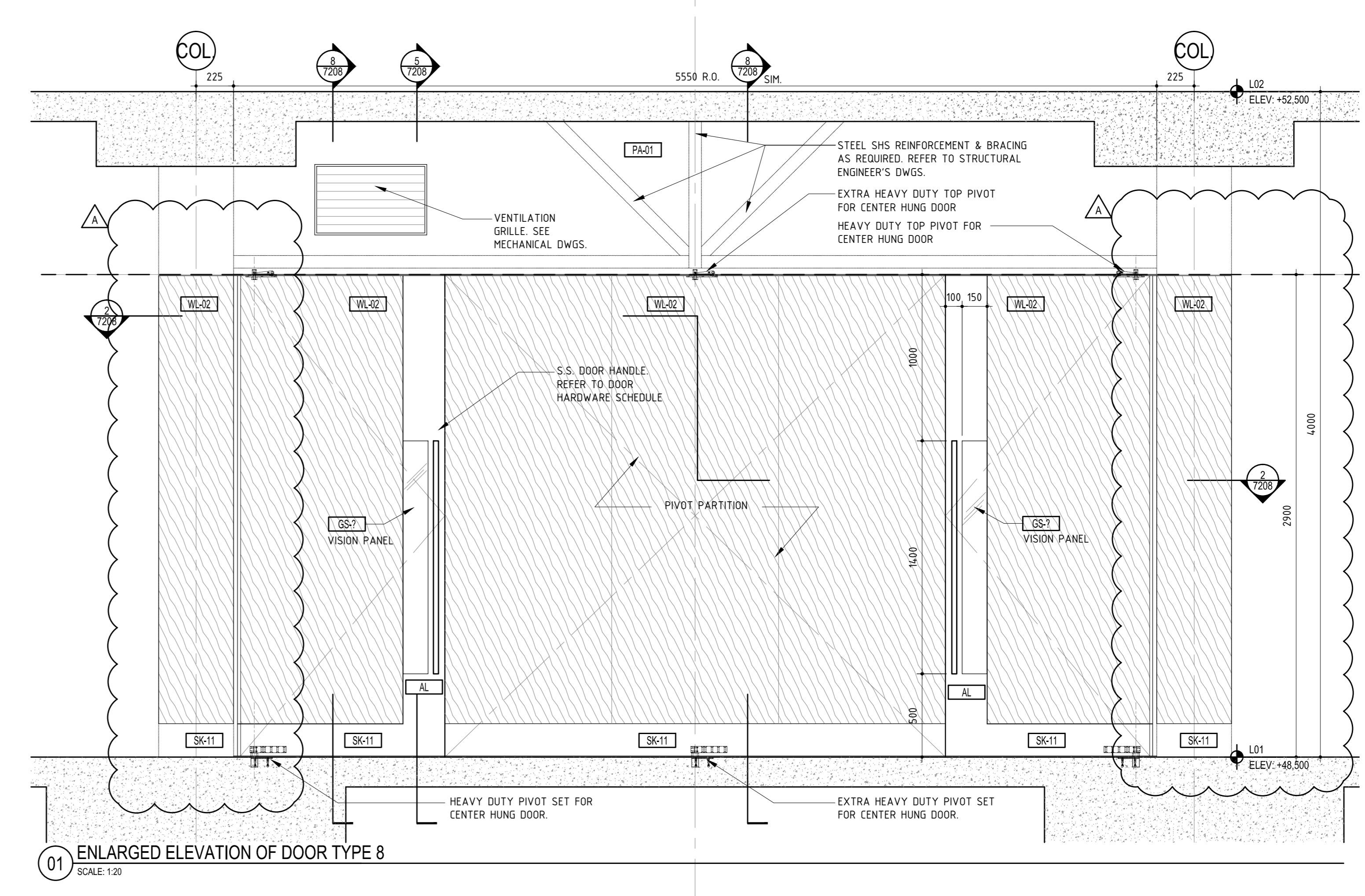
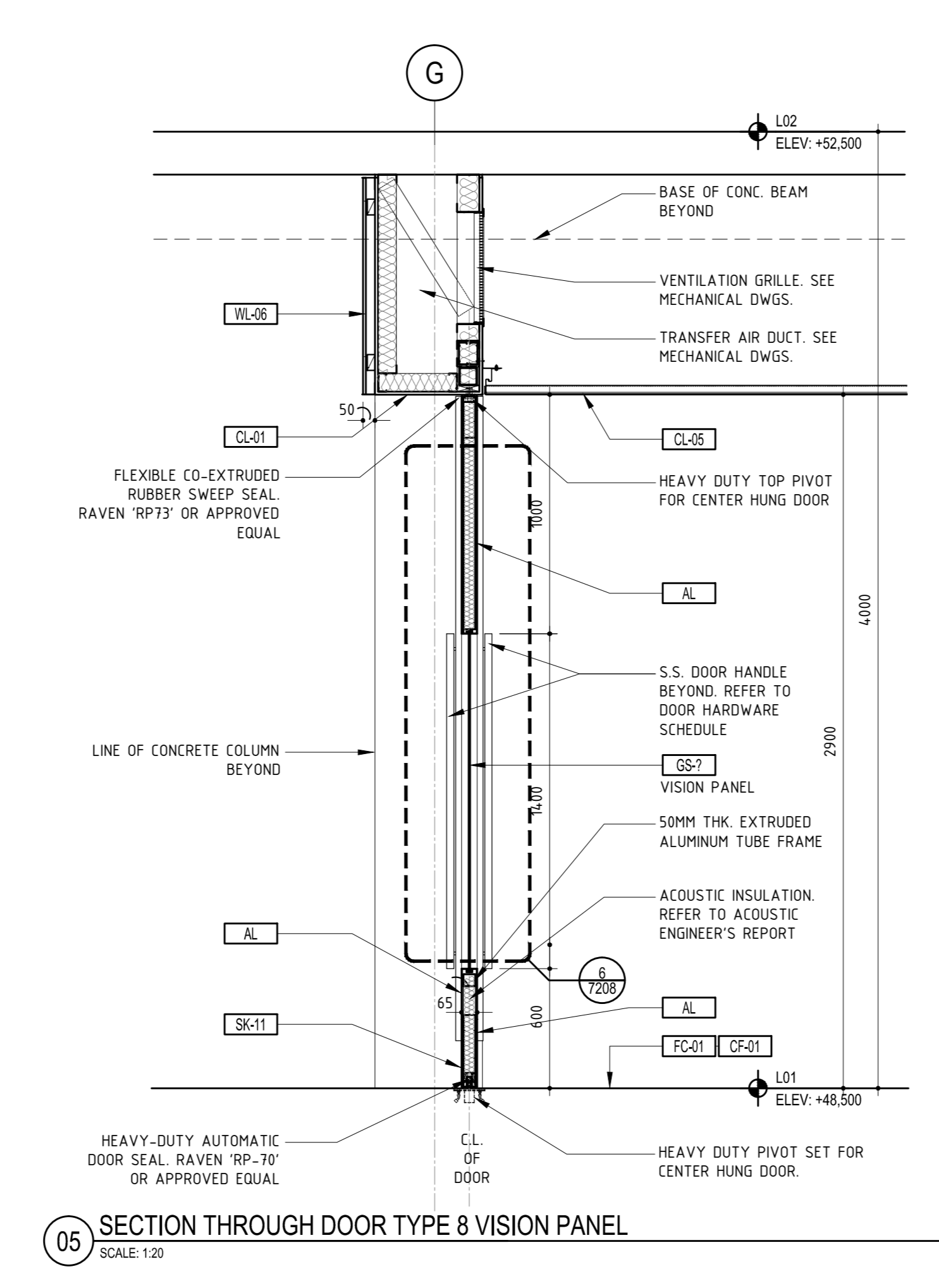
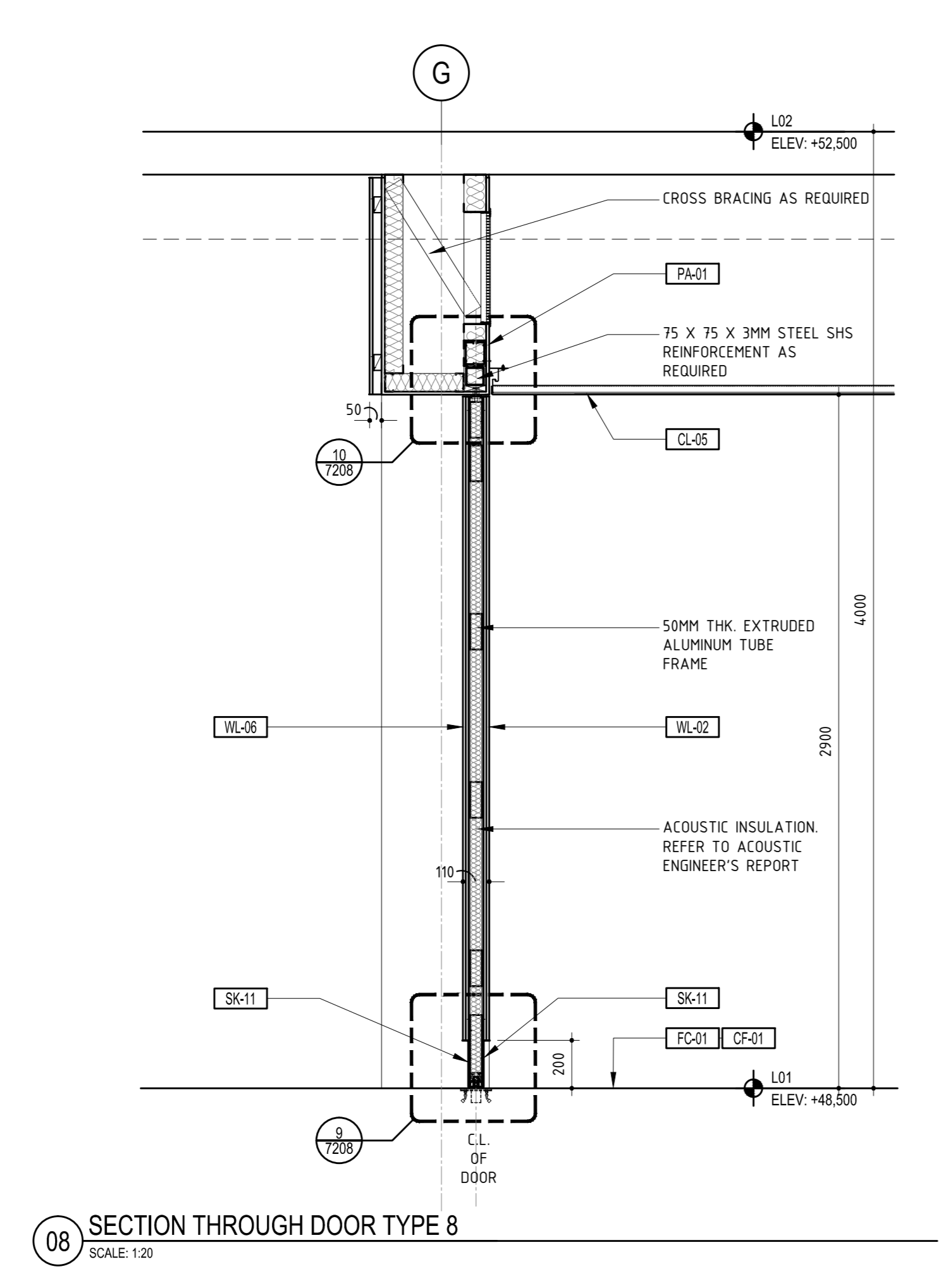
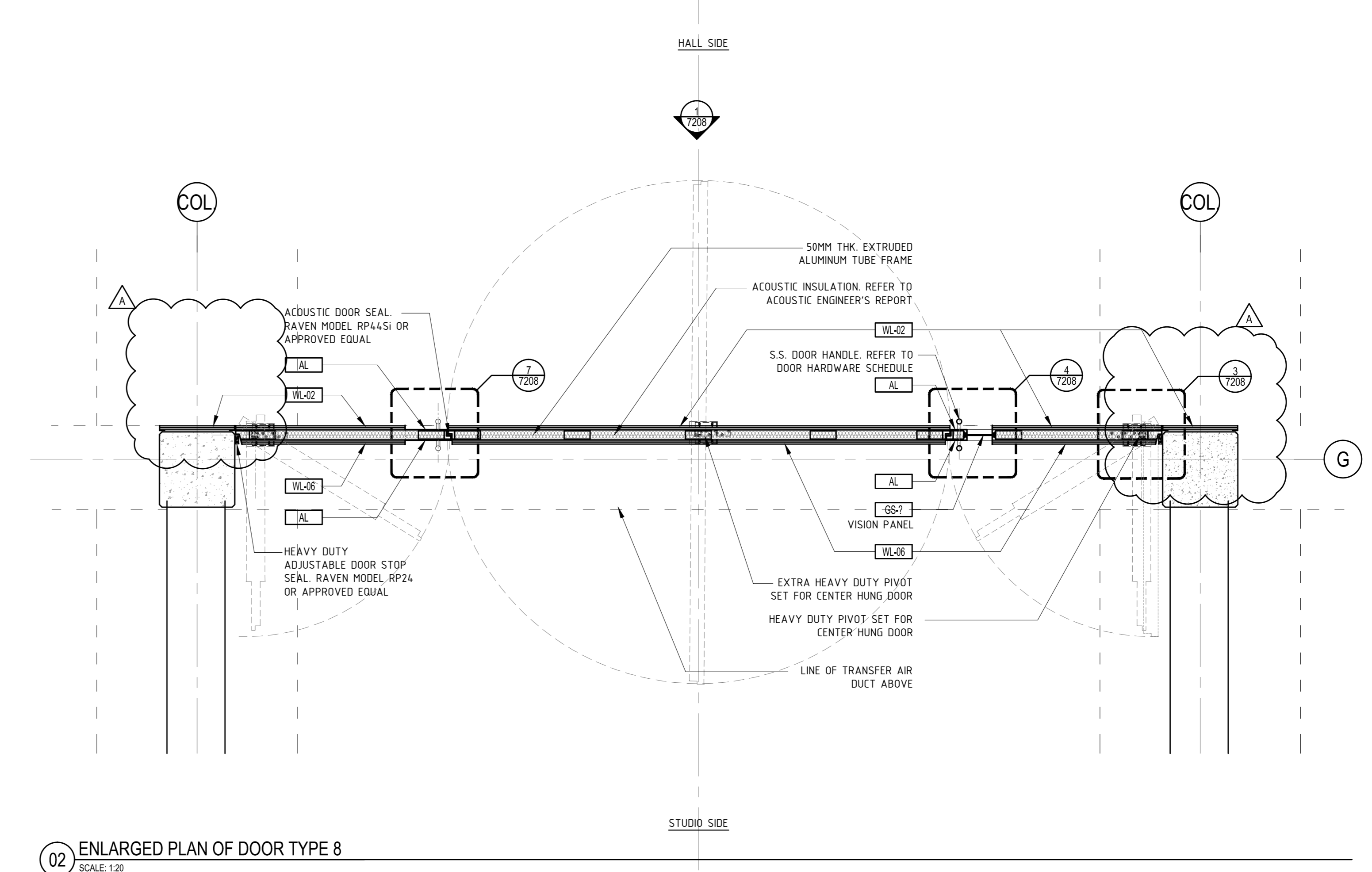
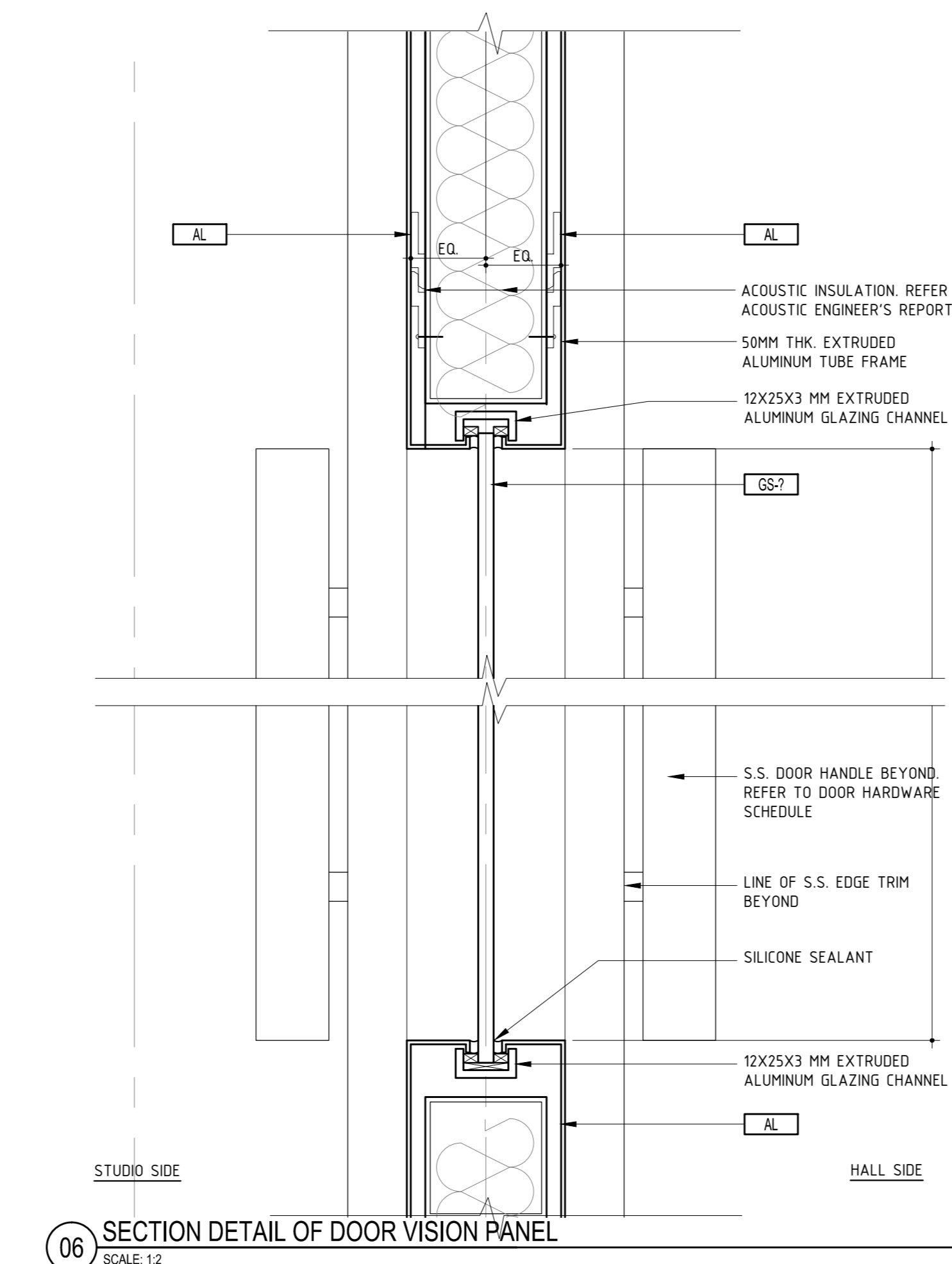
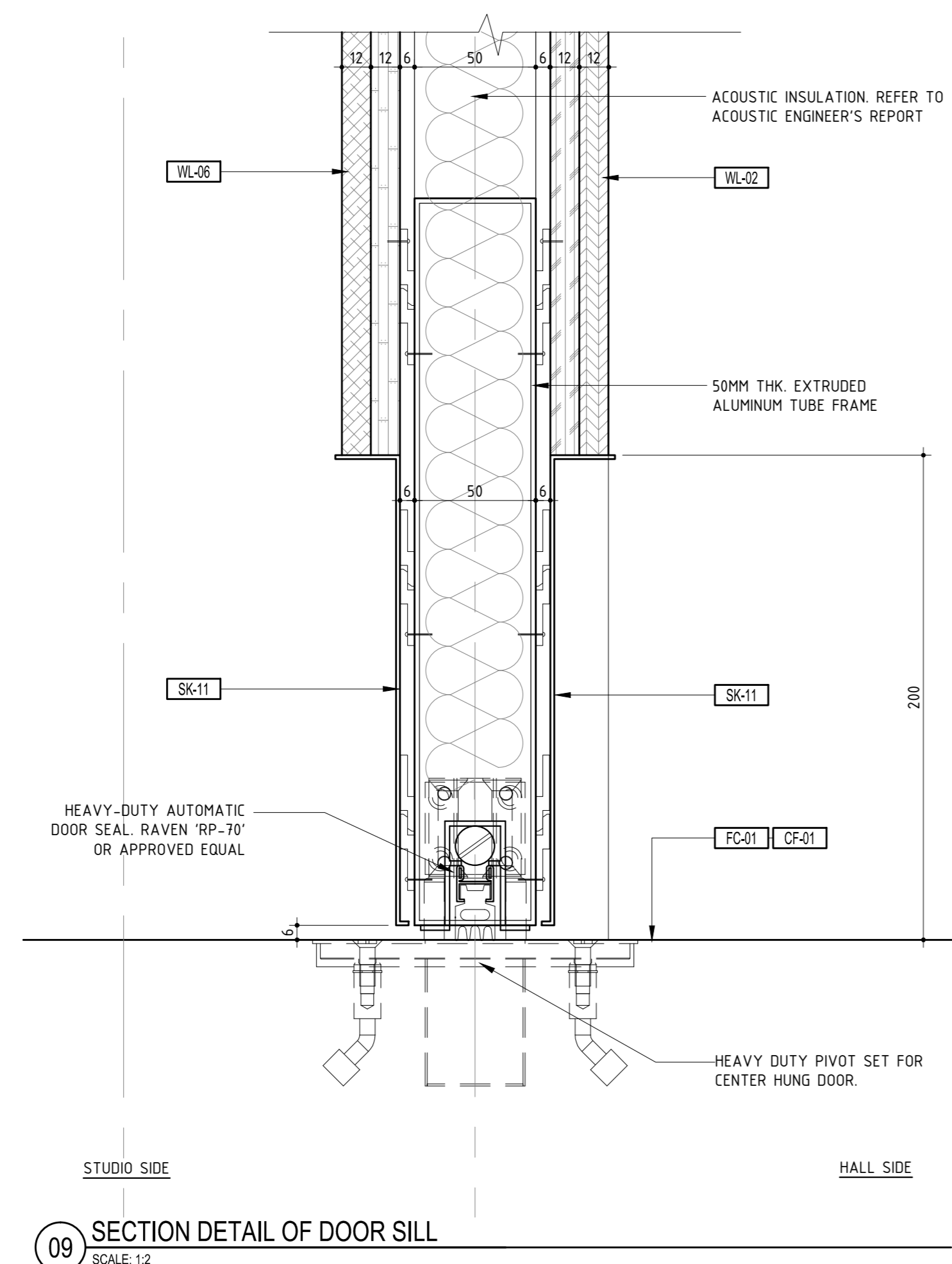
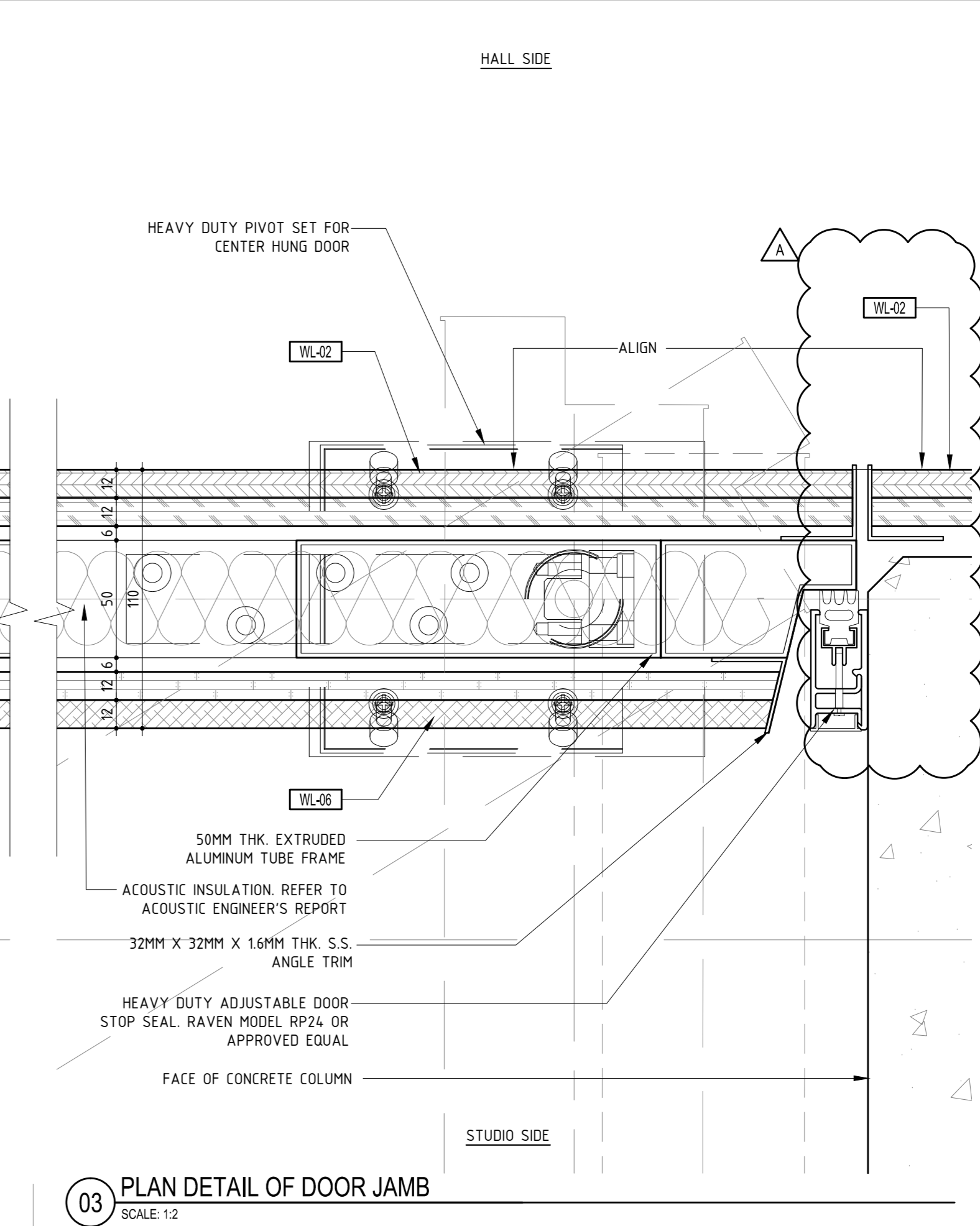
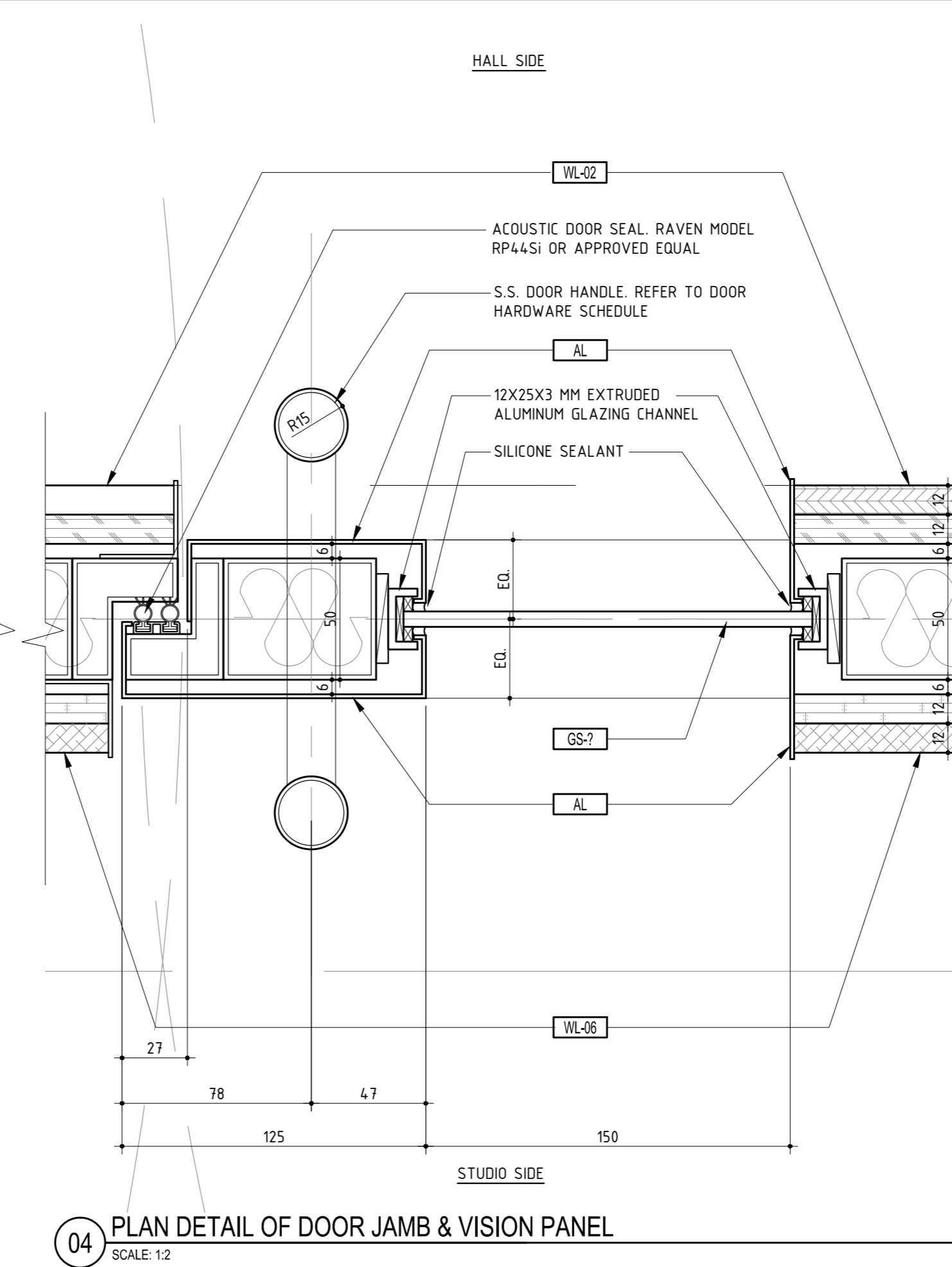
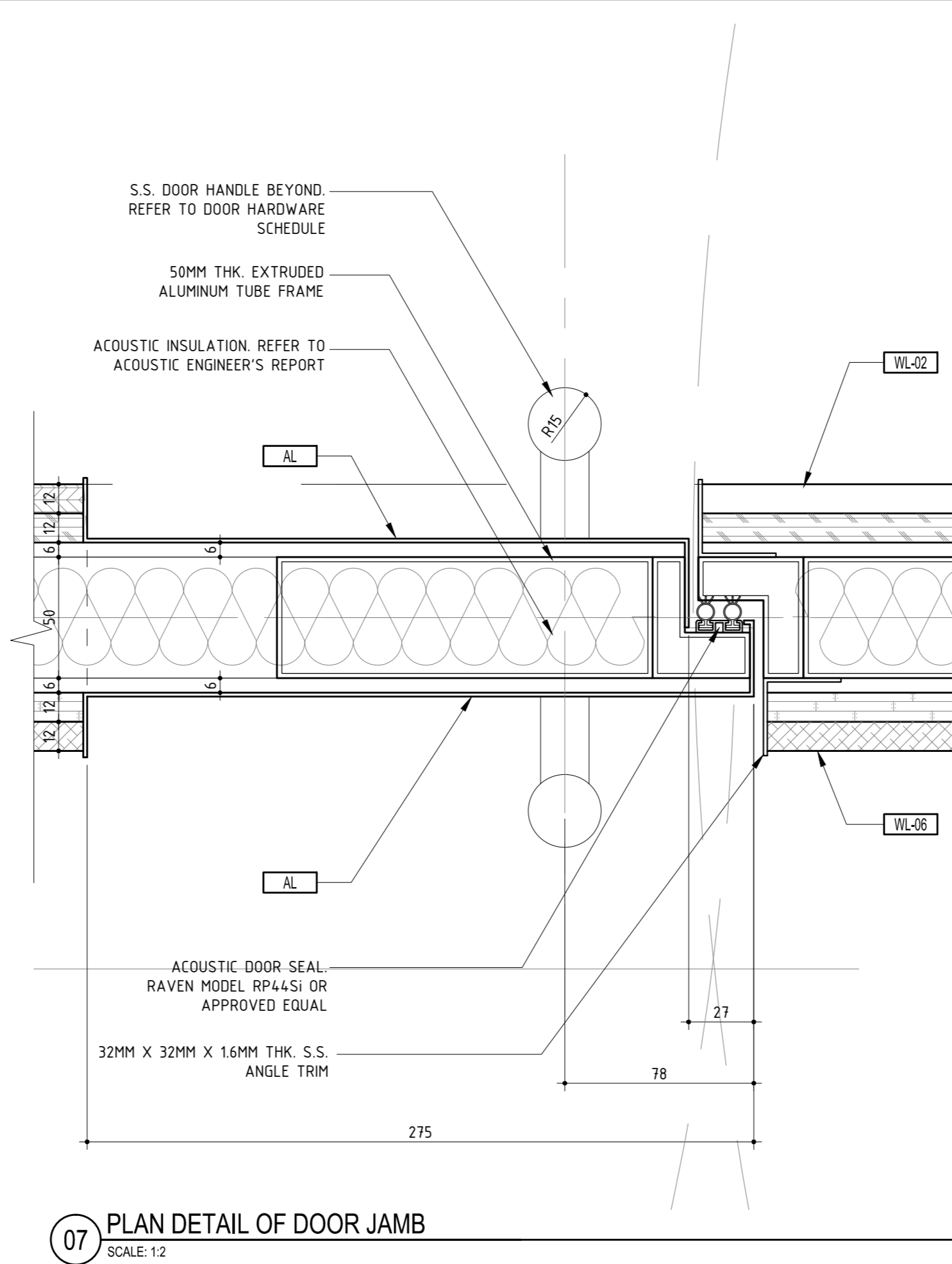
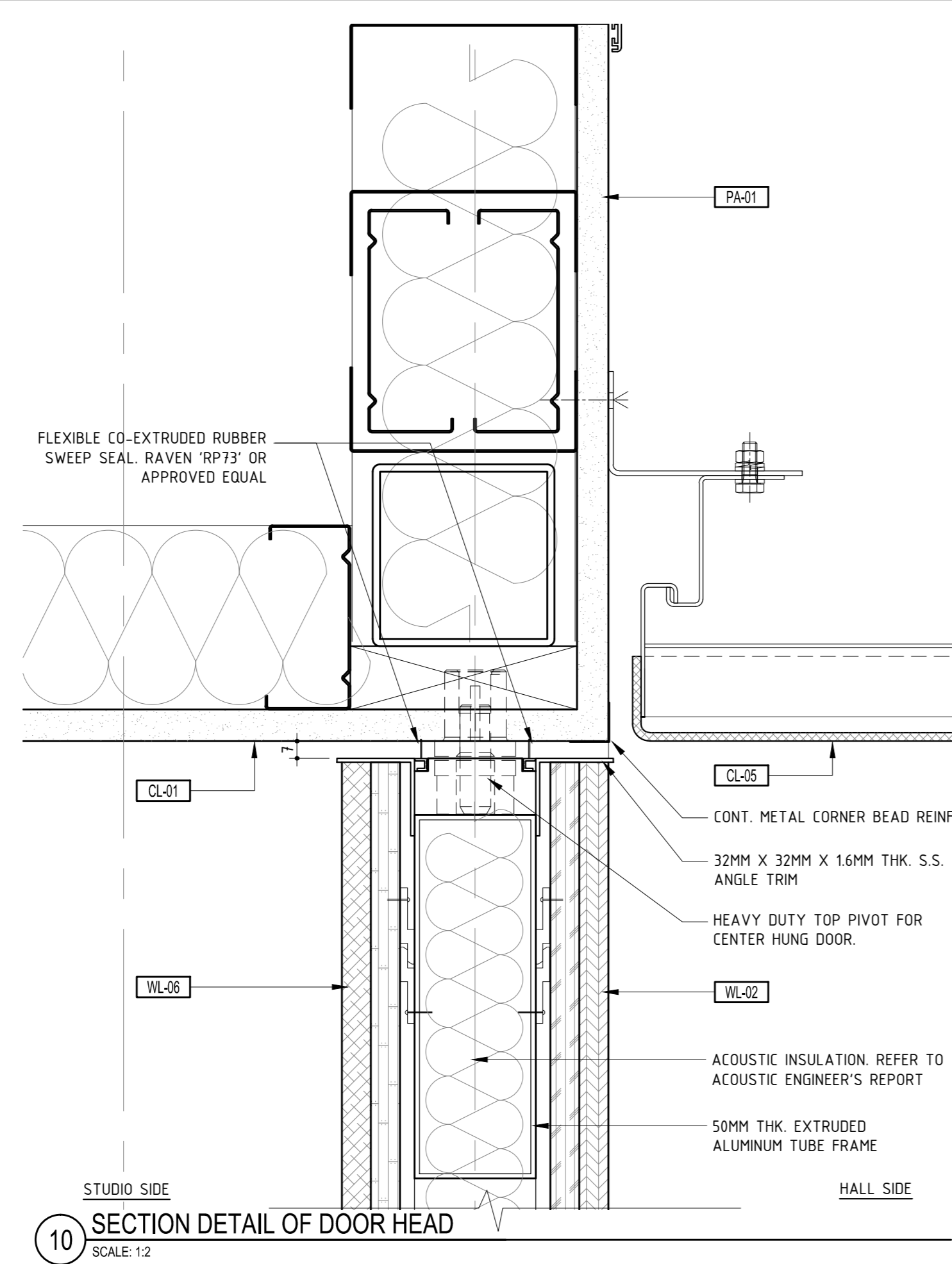
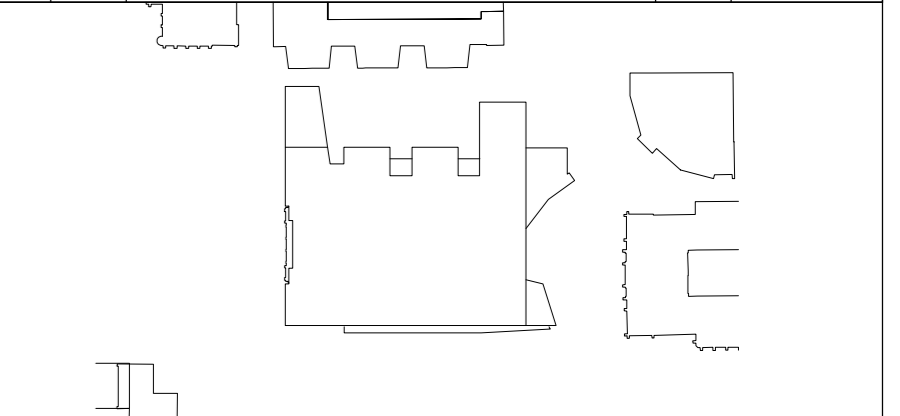


CONTRACTORS SHALL VERIFY ALL DIMENSIONS BEFORE ANY WORK COMMENCES. ALL SHOP DRAWINGS SHALL BE SUBMITTED TO THE SUPERINTENDENT AND MANUFACTURER. SHALL NOT COMMENCE WORK TO THE RETURN OF UNMARKED SHOP DRAWINGS ISSUED BY THE CONSULTANT. FIGURED DIMENSIONS SHALL TAKE PRECEDENCE OVER SCALED THIS DRAWING SHOULD BE IN CONFLICT WITH ALL RELEVANT CONTRACT SPECIFICATIONS AND DRAWINGS COPYRIGHT OF THIS DRAWING IS VESTED IN WARDLE

General Notes



A	SG	CONSTRUCTION ISSUE	-	08.01.14
03	SG	VALUE MANAGEMENT ISSUE	-	28.03.13
02	JC	100% CD - TENDER ISSUE	-	07.08.12
01	JC	90% CD ISSUE	-	10.08.12



**NADAAA**  
 NADAAA  
 1502 Washington Street No. 2  
 Boston  
 Massachusetts  
 02118 USA  
 Telephone: +1 617 442 8332  
 Facsimile: +1 688 442 1417  
 Email: nada@nadaaa.com

**John Wardle Architects**  
 © 2011 John Wardle Architects  
 Level 10, 180 Russell Street, Melbourne Victoria 3000 Australia  
 Tel: +613 9654 8700 www.johnwardlearchitects.com

Client: University of Melbourne  
 Parkville Campus  
 Project: Faculty of Architecture  
 Building and Planning  
 Title: DOOR DETAILS

Project No.	0913	Scale	1:100
Drawing No.	AR7208	Revision	A
Date	Drawn	Co-Ord	Check

FOR CONSTRUCTION